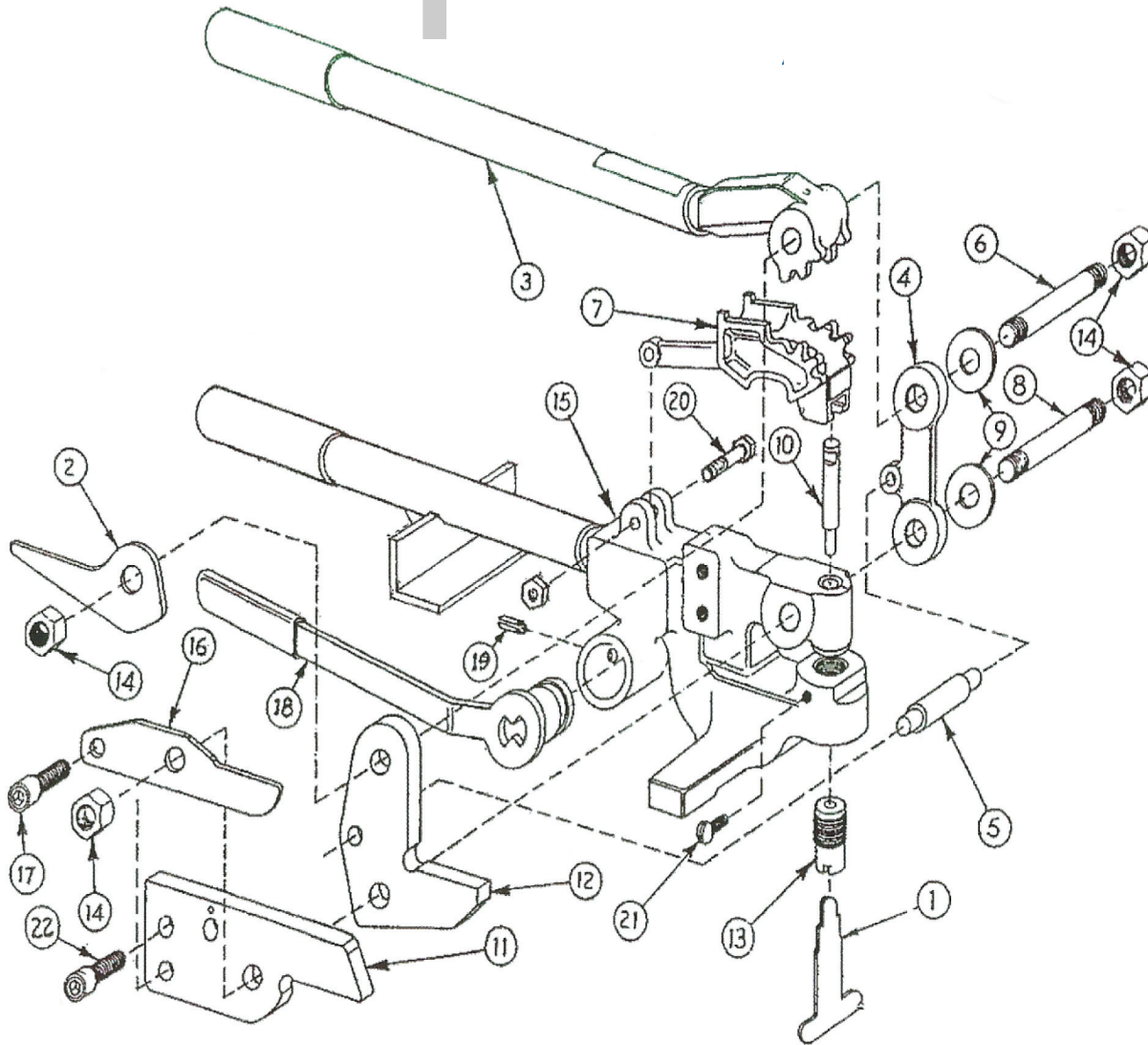


THE STRAPMASTER®

MODEL B 7 1/2 TON

ShopRFP Machine

Punches Are Available In Sizes 1/16" Through 9/16" & Dies In Sizes 3/32" Through 19/32"



STRAPMASTER PARTS LIST 2013

Item #	Nomenclature	Part #
1	Wrench	75-751
2	Stop	71-412
3	Activating Lever	73-493
4	Side Link	71-401
5	Roller Pin	71-406
6	Stud	81-2250
7	Intermediate	80-1634-1
8	Stud	81-2251
9	Washer (QTY 5)	5/8 Washer
10	Punch	
11	Stationary Blade	71-403
12	Rotating Blade	10478
13	Die	
14	Nut (QTY 5)	5/8-18-Nut
15	Base	10475
16	Stabalizer	71-404-1
17	Cap Screw (QTY 5)	3/8-16-7/8
18	Twister Assembly	73-497
19	Roll Pin (QTY 5)	3/16 x 1/2
20	Hex Bolts (QTY 5)	AN5-14A
21	Set Screw (QTY 5)	1/4-20-1/2
22	Cap Screw (QTY 5)	3/8-16-1 1/4
23	Lock Nut (QTY 5)	131018
Item # 10 & 13 are sold as a set.		
Item # 11 & 12 are sold as a set.		