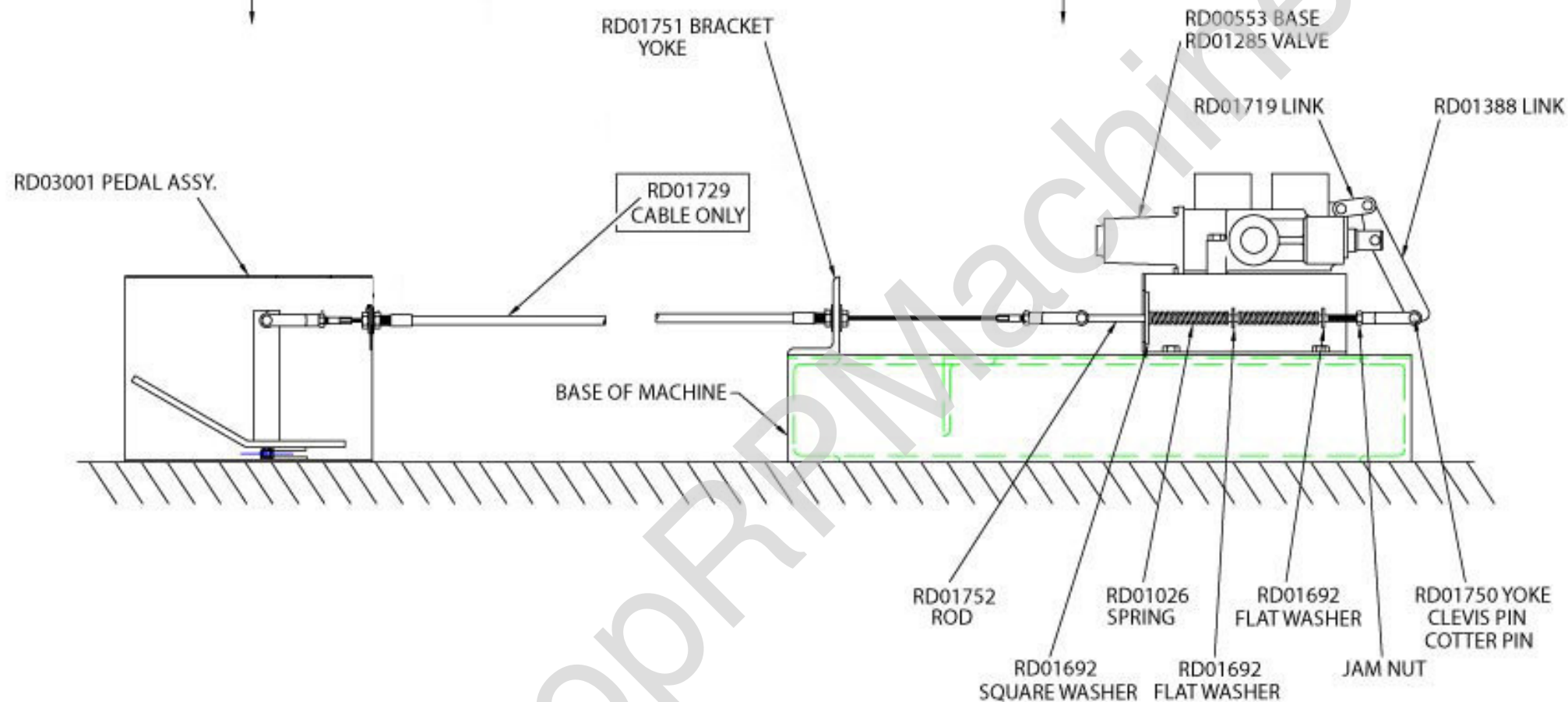
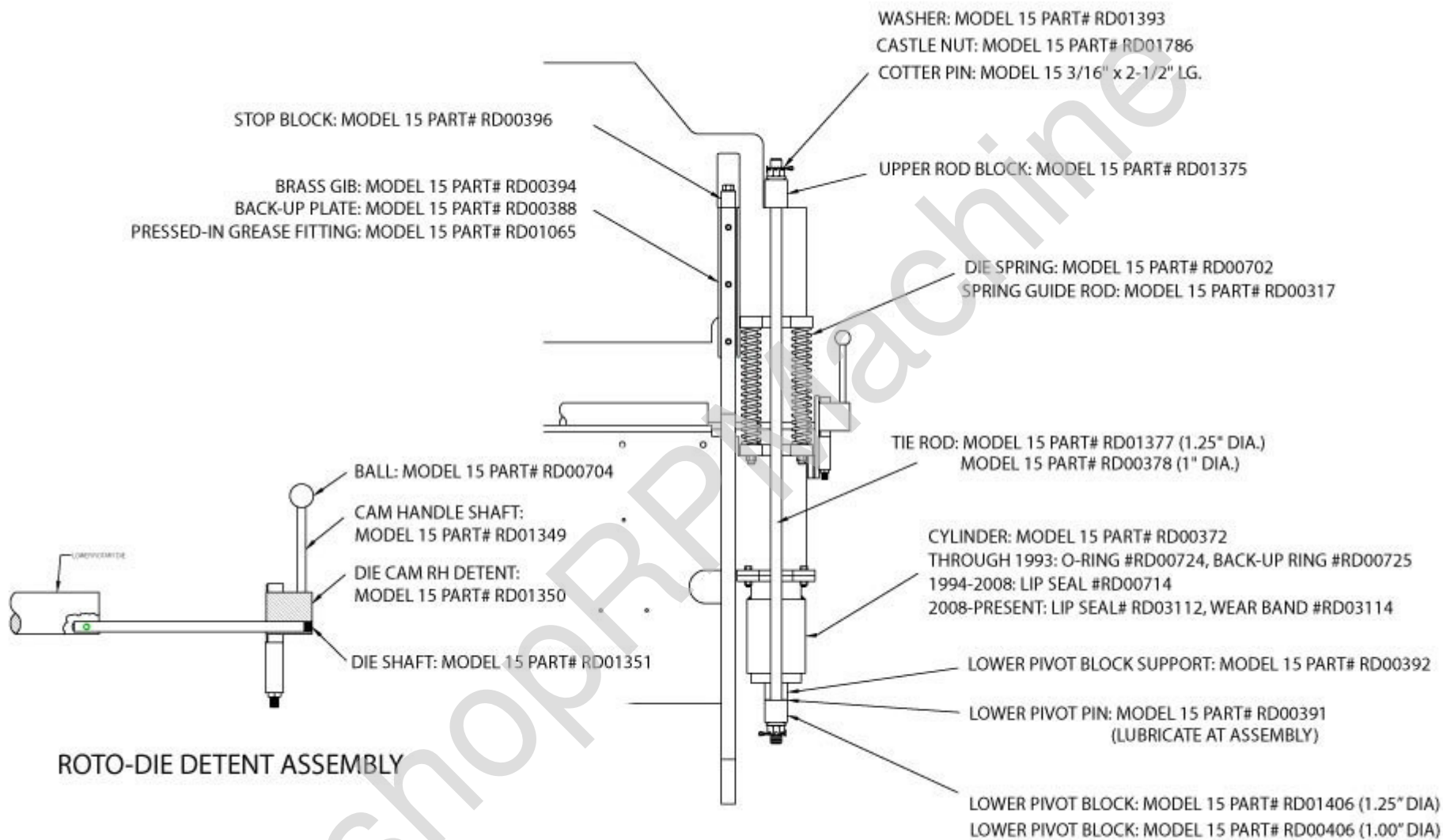


FOOT PEDAL CABLE ASSEMBLY RD93002



ITEMS NOT INCLUDED WITH FOOT PEDAL CONVERSION KIT:

- 9 VALVE
- 10 LINK
- 11 CONTROL LEVER
- 16 VALVE BASE



UPPER ROD BLOCK: MODEL 15 PART# RD01375

WASHER: MODEL 15 PART# RD01393

CASTLE NUT: MODEL 15 PART# RD01786

COTTER PIN: MODEL 15 3/16" x 2-1/2" LG.

DIE SPRING: MODEL 15 PART# RD00702
SPRING GUIDE ROD: MODEL 15 PART# RD00317

RDNUTS-1: MODEL 15 5/8"-11UNC

CYLINDER: MODEL 15 PART# RD00372

THROUGH 1993: O-RING #RD00724, BACK-UP RING #RD00725

1994-2008: LIP SEAL #RD00714

2008-PRESENT: LIP SEAL# RD03112, WEAR BAND #RD03114

TIE ROD: MODEL 15 PART# RD01377 (1.25" DIA.)
MODEL 15 PART# RD00378 (1" DIA.)

LOWER PIVOT BLOCK SUPPORT: MODEL 15 PART# RD00392

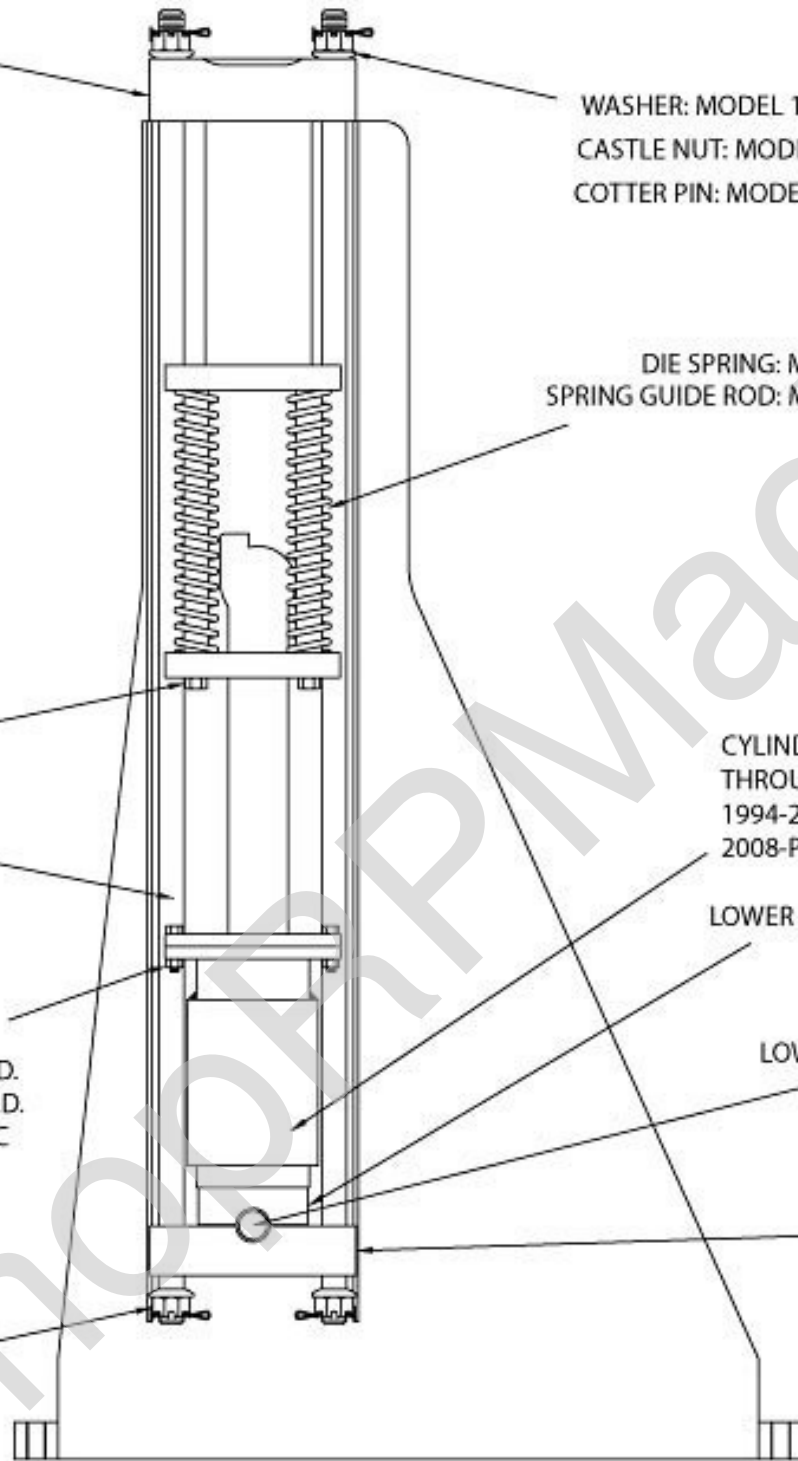
RDBOLTS-1: MODEL 15 1/2"-13UNC x 2" LG.
FLAT WASHER: MODEL 15 1/2" I.D.
LOCK WASHER: MODEL 15 1/2" I.D.
HEX NUT: MODEL 15 1/2"-13UNC

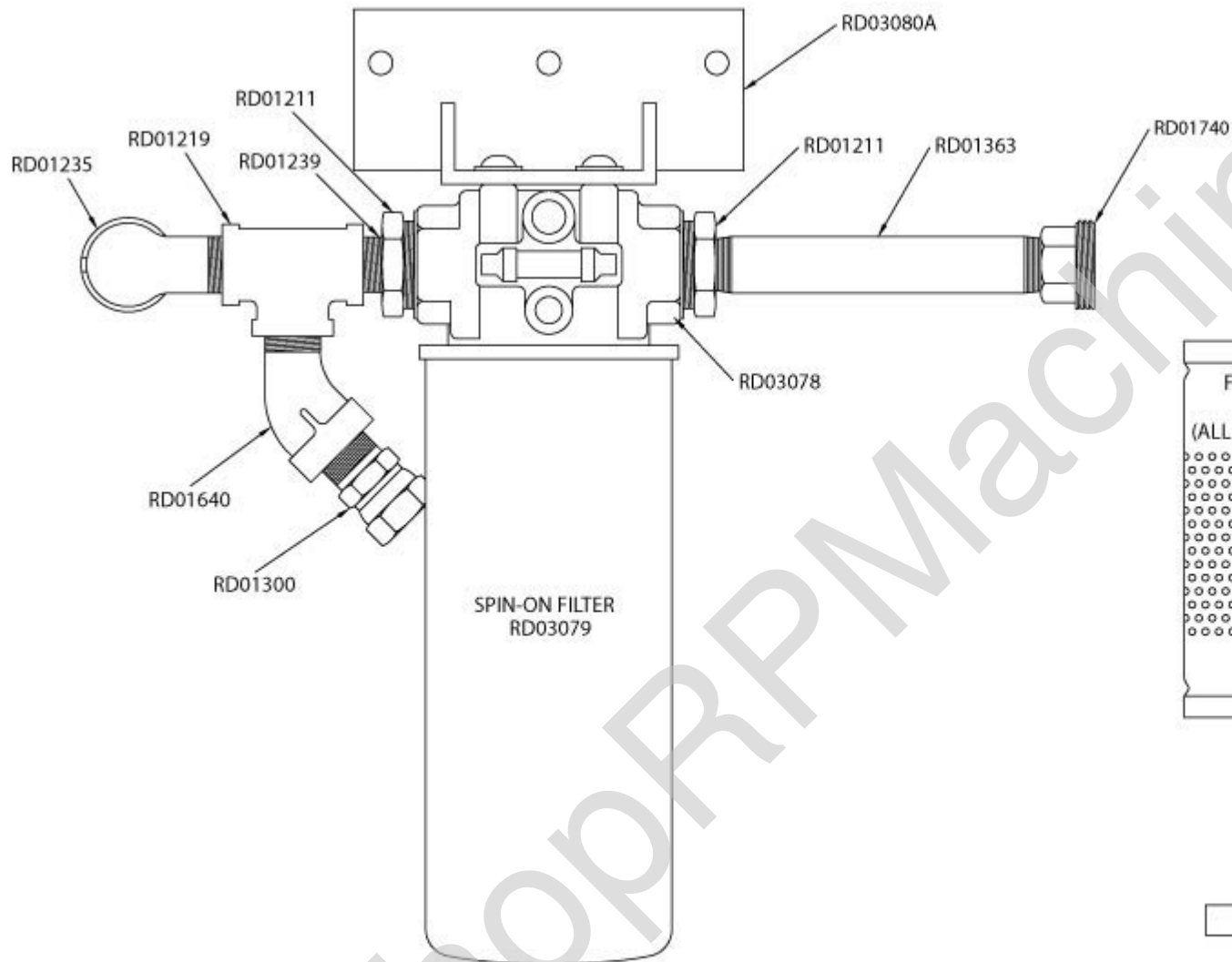
LOWER PIVOT PIN: MODEL 15 PART# RD00391
(LUBRICATE AT ASSEMBLY)

LOWER PIVOT BLOCK: MODEL 15 PART# RD01406 (1.25" DIA)

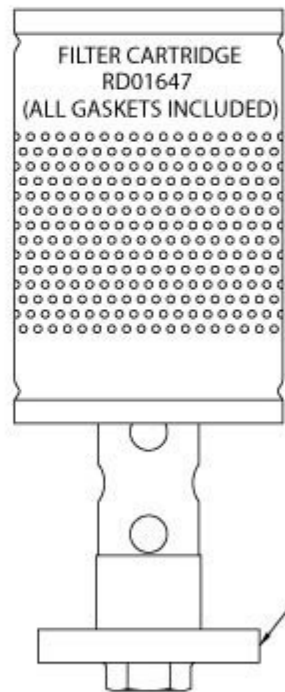
LOWER PIVOT BLOCK: MODEL 15 PART# RD00406 (1.00" DIA)

WASHER: MODEL 15 PART# RD01393
CASTLE NUT: MODEL 15 PART# RD01786
COTTER PIN: MODEL 15 3/16" x 2-1/2" LG.





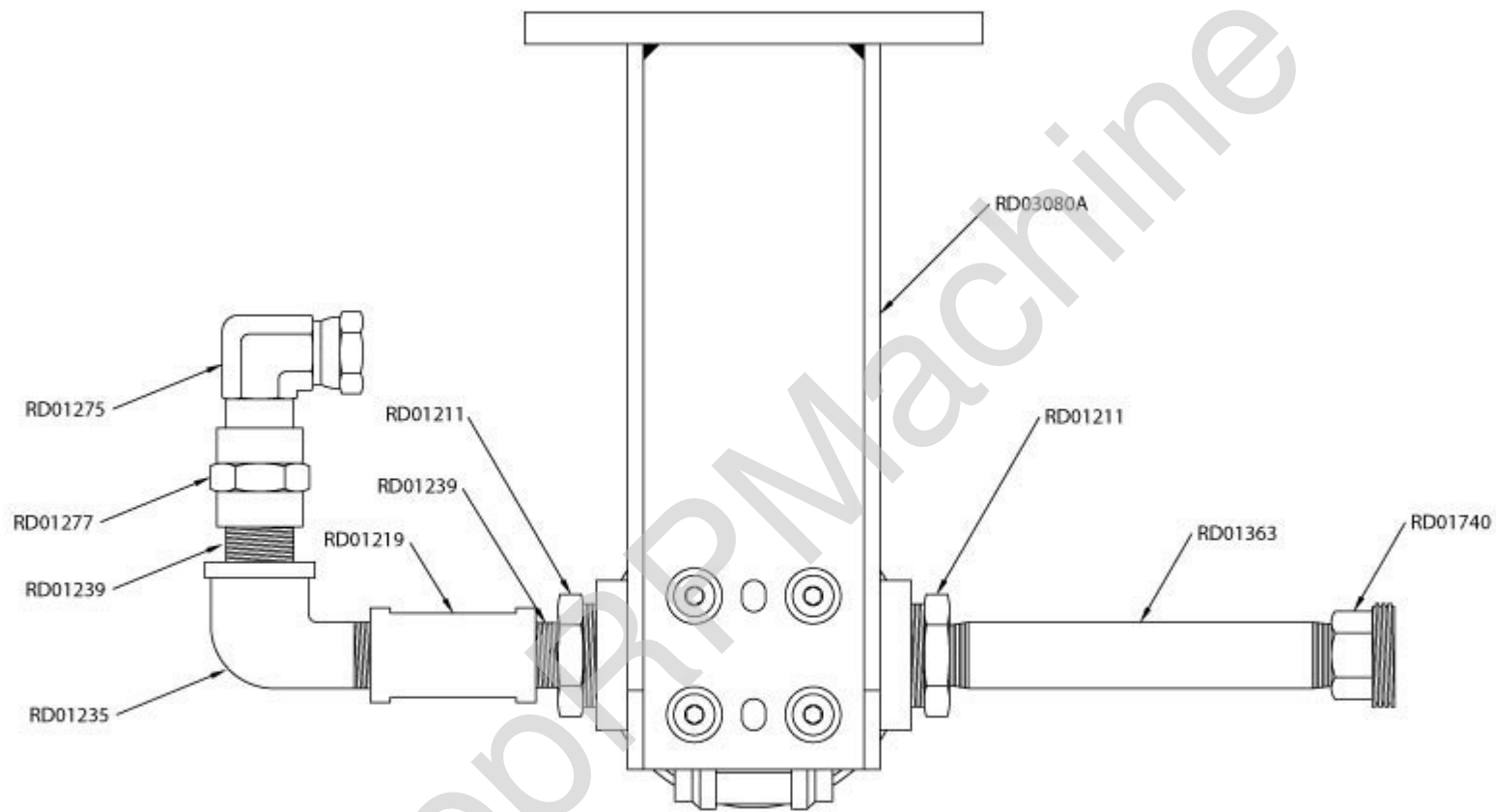
NEW DESIGN



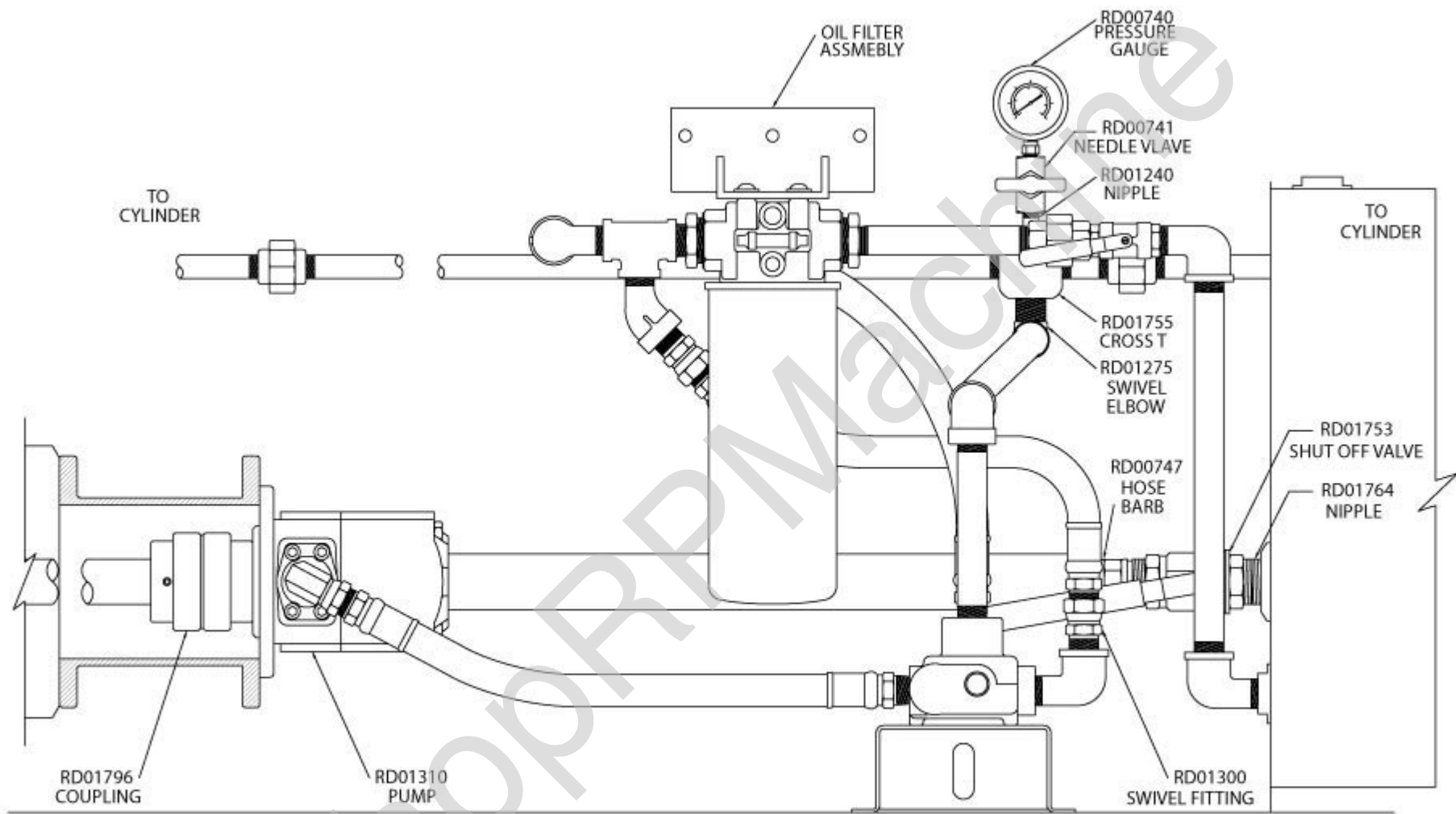
OLD DESIGN

CENTER POST
RD00505

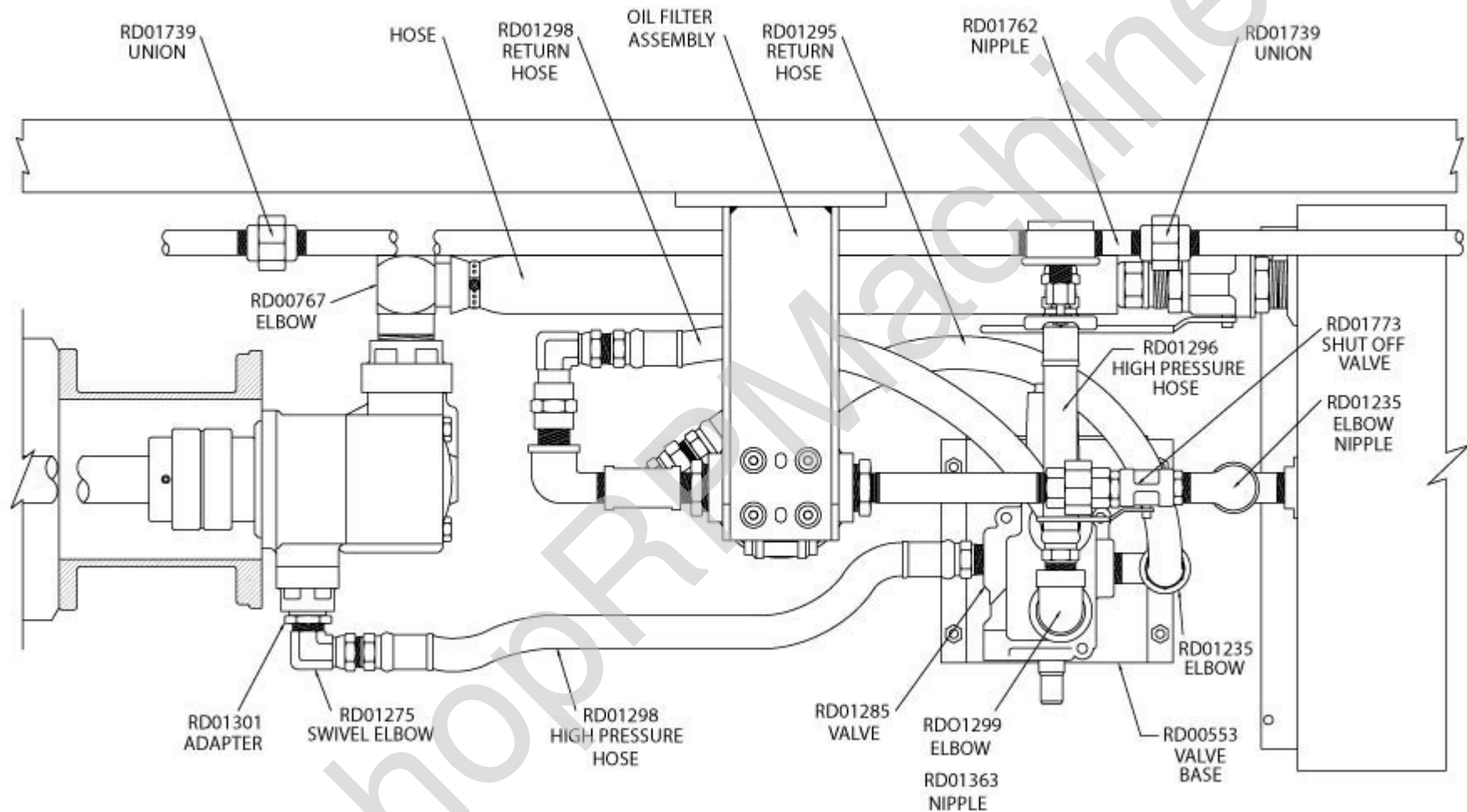
OIL FILTER ASSEMBLY
MODEL 15 FRONT VIEW



OIL FILTER ASSEMBLY
MODEL 15 TOP VIEW



HYDRAULIC ASSEMBLY
MODEL 15 FRONT VIEW



**HYDRAULIC ASSEMBLY
 MODEL 15 TOP VIEW**

